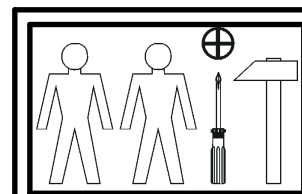
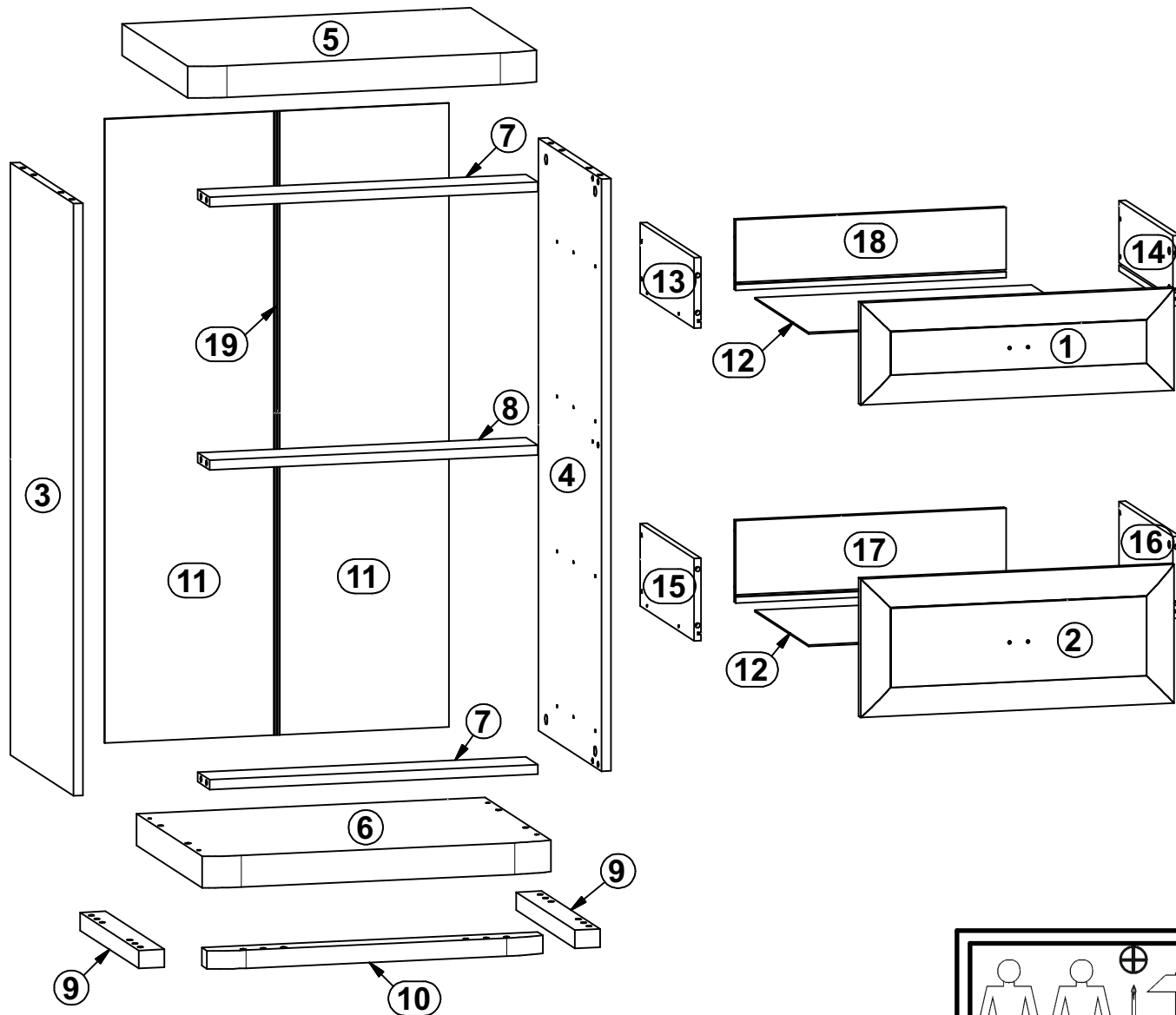
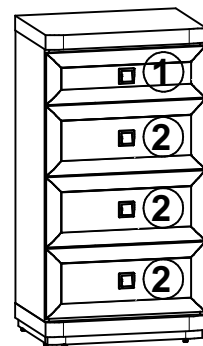


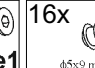
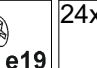


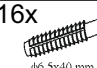
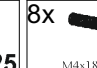
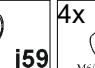


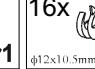
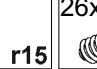



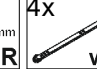
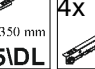


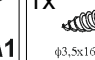


OREGON

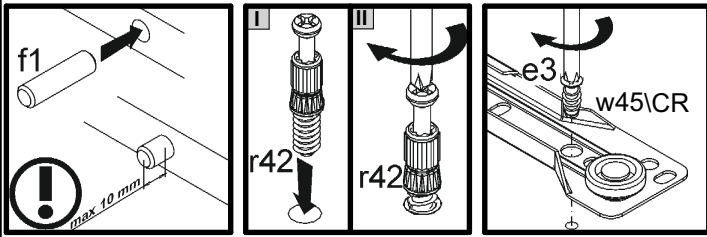
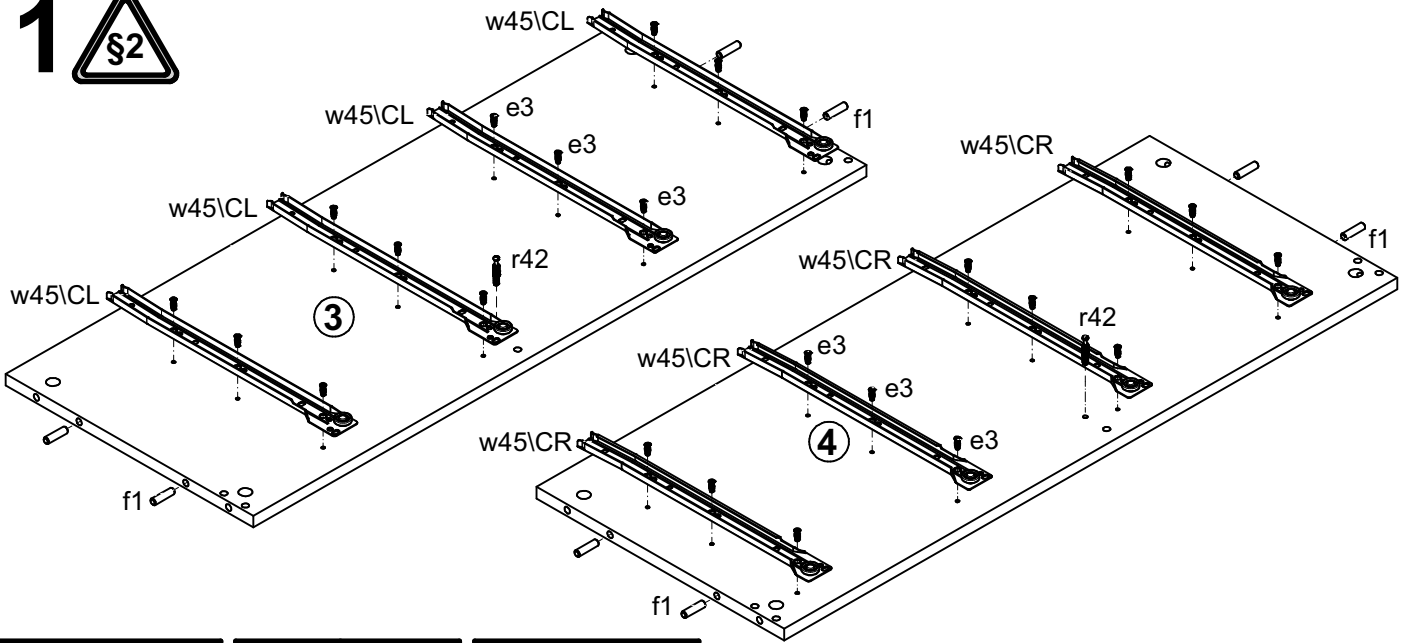
S157-KOM4S

A	B	C	D	A	B	C	D		
1	S157-0009	544	174	3/3	10	S157-5505	532	40	2/3
2	S157-0010	544	236	3/3	11	S157-9910	967	271	1/3
3	S157-1115	918	371	1/3	12	S157-9911	480	348	1/3
4	S157-1116	918	371	1/3	13	ZS2-511	350	120	1/3
5	S157-2208	552	396	2/3	14	ZS2-512	350	120	1/3
6	S157-2209	552	396	2/3	15	ZS2-531	350	140	1/3
7	S157-4404	518	70	2/3	16	ZS2-532	350	140	1/3
8	S157-4405	518	70	1/3	17	ZS2-5587	469	140	1/3
9	S157-502	346	40	2/3	18	ZS2-5588	469	120	1/3
					19	Lh-913	913	14	1/3

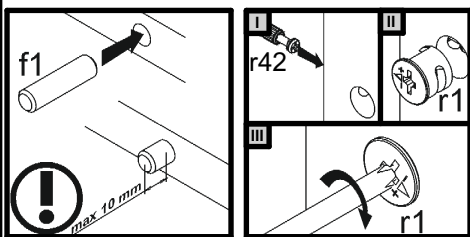
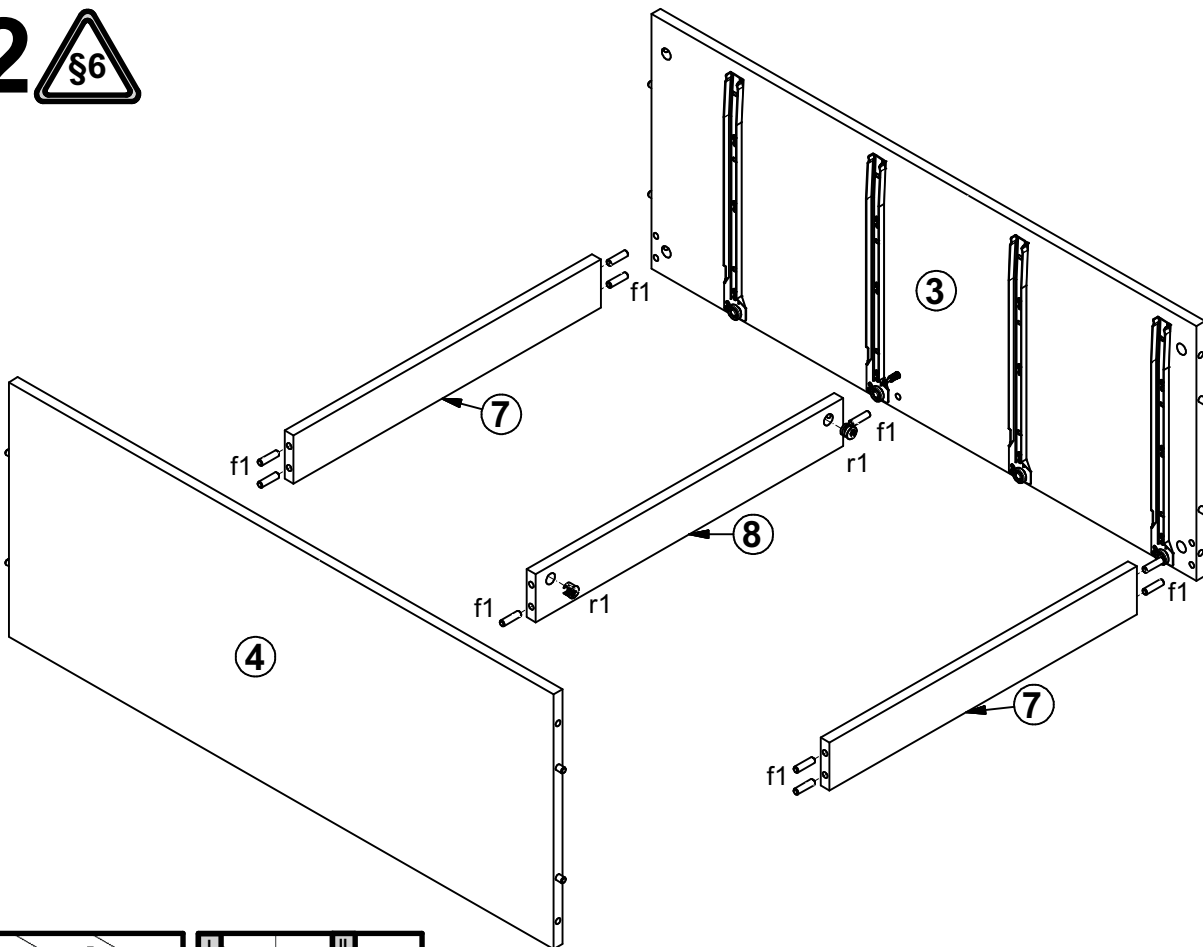


4x  c333	6x  e1 φ7x50 mm	16x  e19 φ5x9 mm	24x  e3 φ6x13 mm	24x  f1 φ8x30 mm	16x  f25 φ6.5x40 mm	8x  j59 M4x18 mm	4x  k39\2 M6/φ8x14 mm	4x  k39\3 M6/22mm
35x  l1	10x  r1 φ1.5x12mm #16	16x  r15 φ1.2x10.5mm #12	26x  r42	4x  w45\CL 350 mm	4x  w45\CR 350 mm	4x  w45\DL 350 mm	4x  w45\DR 350 mm	2x  s2 φ16
1x  z1	1x  n26\1	1x  p38 φ3.5x16 mm						

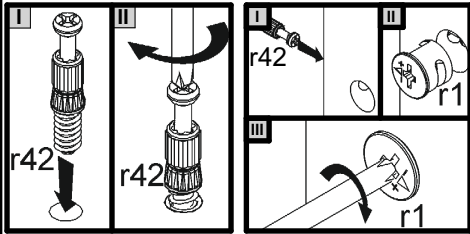
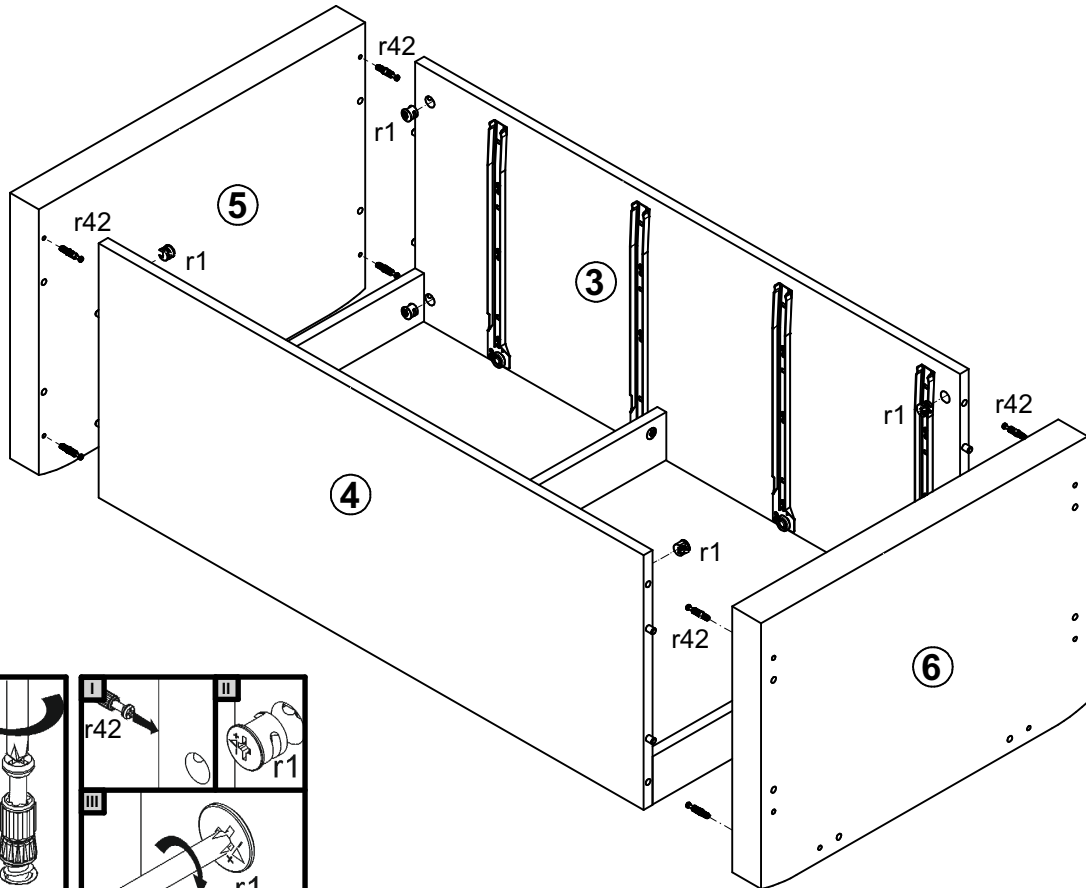
1



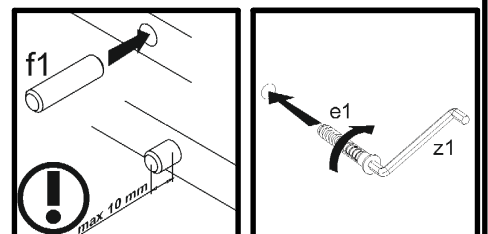
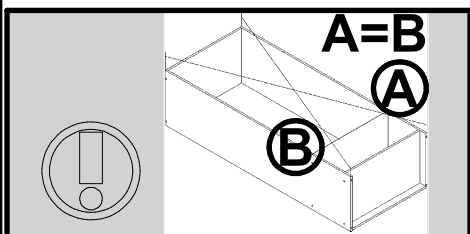
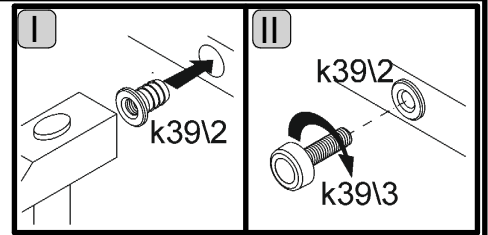
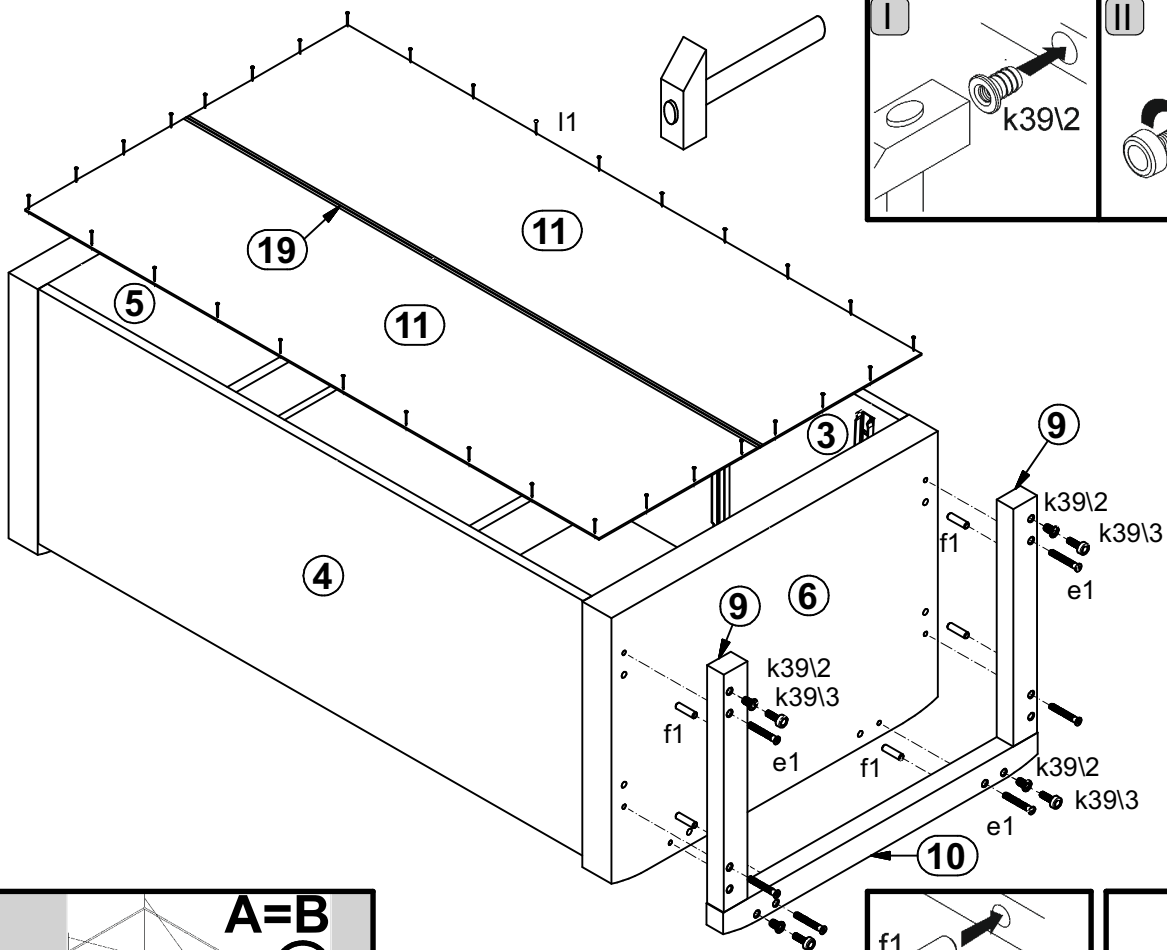
2



3

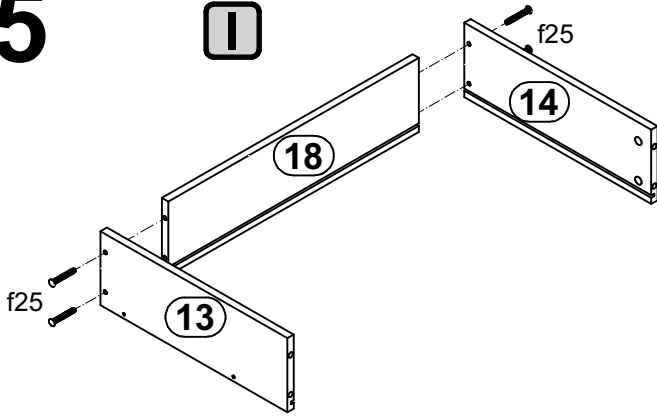


4

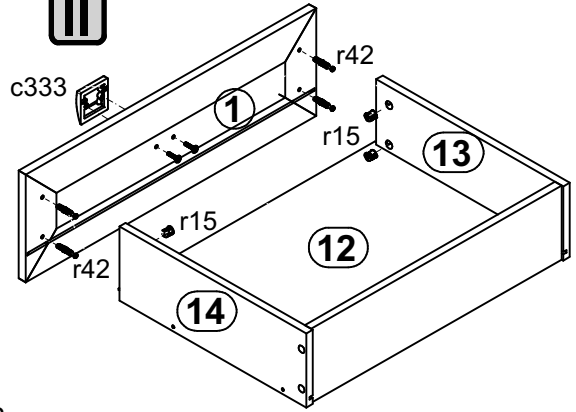


5

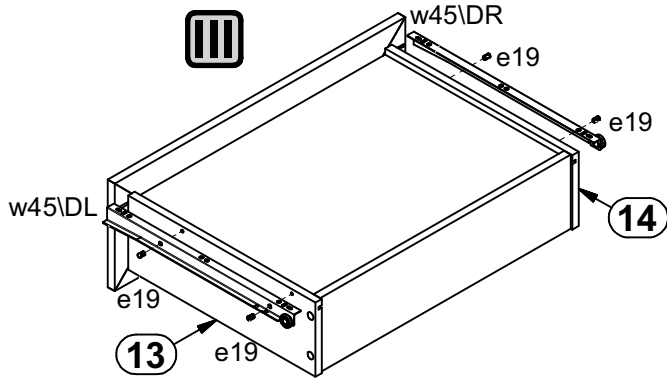
I



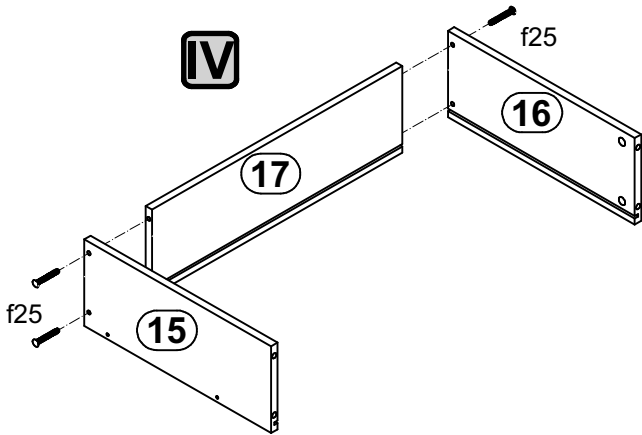
II



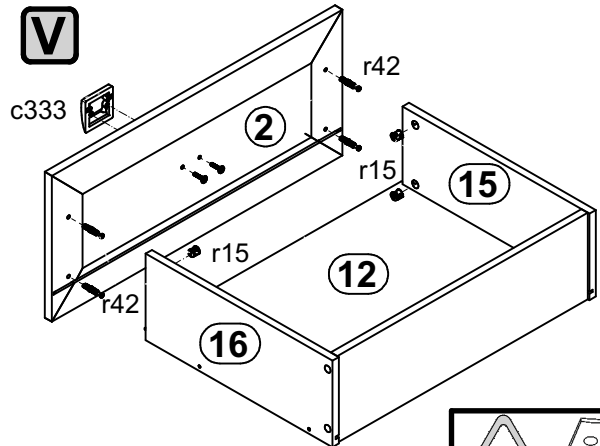
III



IV



V



VI

